

Accessories for Piezoresistive Pressure Transmitters

Pressure Transmitter ED 520 and ED 530

Welding sleeve

Dimensions	D	a	H	Material	Ordering no.
	G½	35	20	Stainless steel 1.4435	D 11737.0
	G1	55	23		D 11737.2

Pressure Transmitter ED 520

Welding sleeve for connection without cone

Dimensions	D	a	H	Material	Ordering no.
	G½	60	20.5	Stainless steel 1.4435	D 12403.0
	G1	60	20.5		D 12403.1

Front piece with thread

Dimensions	D	a	b	sw	Material	Ordering no.
	G½	9	23	27	Stainless steel 1.4435	D 11870.0
	G1	15	27	41		D 11870.2

Adapter flange according to IDF PN 40

Dimensions	D	R	H	f	d	a	t	b	l	DN	Material	Ordering no.
	G½	16,45	20	33,8	25,6	29,2	2	5	6,5	1"	Stainless steel 1.4435	D 11753.0002
	G1	26,45	23	47	38,6	42,7	2,5	6	8	1½"		D 11753.0104
				60,5	51,6	56,2	3	7	9,5	2"		D 11753.0204
				74	64,1	69,9	3,5	8	11	2½"		D 11753.0304

Grooved nut according to IDF

Dimensions	A	E	DN	Material	Ordering no.
	48	42	1	Stainless steel 1.4301	D 11683.1
	64	56	1½"		D 11683.2
	77	69	2"		D 11683.3
	91	83	2½"		D 11683.4

Accessories for Piezoresistive Pressure Transmitters

Pressure Transmitter ED 520 and ED 530

Adapter flange according to DIN 11851 (milk fitting) PN 12

Dimensions	Ordering example									D 11752.	02	02	
	Dimension chart									DN			
	D	d6	d7	R	H	g	t	b	l				
	G½	36	30	16,45	20	8	2	5	6,5	20			02
	G1	50	41	26,45	23	10	2,5	6	8	32			04
		56	48	26,45	23	10	3	7	9,5	40			05
		68	61	26,45	23	11	3,5	8	8,5	50			06
		86	79	26,45	23	12	4	10	7,5	65			07
		100	93	26,45	23	12	4	10	7,5	80			08
	121	114	26,45	23	15	-	-	-	100			09	
Material stainless steel 1.4435										G½		02	
										G1		04	

Grooved union nut according to DIN 11851 (milk fitting) PN 12

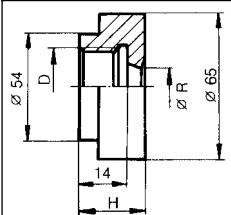
Dimensions	D	E	f	DN	Material	Ordering no.
	Rd 44x½"	48	20	20	Stainless steel 1.4301	N 2400.02
	Rd 58x½"	62	21	32		N 2400.04
	Rd 65x½"	70	21	40		N 2400.05
	Rd 78x½"	84	22	50		N 2400.06
	Rd 95x½"	102	25	65		N 2400.07
	Rd 110x½"	117	29	80		N 2400.08
	Rd 130x½"	138	31	100		N 2400.10

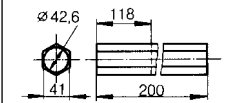
Adapter flange according to DIN 2501 PN 40, with tongue and through holes

Dimensions	Ordering example						D 11755.	00	04
	Dimension chart						DN		
	D	d1	d4	d5	k	h			
	G1	4x11	32	75	50	2	6		00
		4x11	38	80	55		8		01
		4x14	40	90	60		10		02
		4x14	45	95	65		15		03
		4x14	58	105	75		20		04
		4x14	68	115	85		25		05
		4x18	78	140	100		32		06
		4x18	88	150	110		40		07
		4x18	102	165	125		50		08
		8x18	122	185	145		65		09
Material Stainless steel 1.4571								04	

Accessories for Piezoresistive Pressure Transmitters

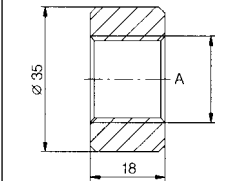
Adapter flange

Dimensions	D	H	R	Material	Ordering no.
 <p>Connection dimension DRD</p>	G $\frac{1}{2}$	20	16,45	Stainless steel 1.4435	D 11738.0
				Hastelloy C	D 11738.20
	G1	23	26,45	Stainless steel 1.4435	D 11738.2
				Hastelloy C	D 11738.22

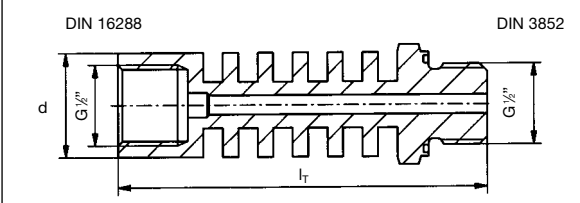
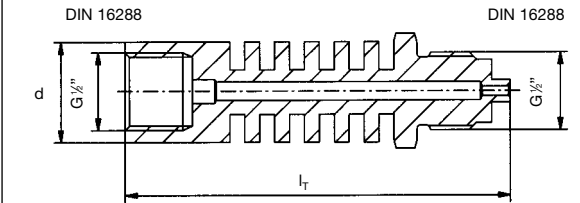
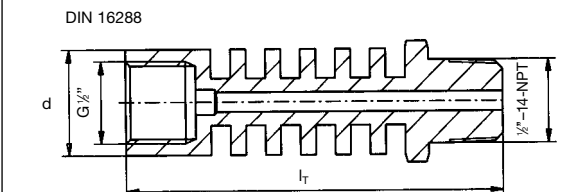
	Box wrench	D 11636.0
-----------------------------------------------------------------------------------	------------	------------------

Pressure Transmitter ED 510

Welding sleeve for ED 510/XXX.X4X

Dimensions	D	Material	Ordering no.
	G $\frac{1}{2}$	Stainless steel 1.4435	D 12362.0

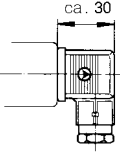
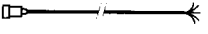

Adapter for high temperature (cooling device)

Dimensions	T _{med max.}	l _T	d	Connection	Material	Ordering no.
	300°C	123	40	G $\frac{1}{2}$ "	Stainless steel 1.4435	D 12361.0
	200°C	95	27	G $\frac{1}{2}$ "		D 12361.1
	150°C	68	27	G $\frac{1}{2}$ "		D 12361.21
	300°C	131	40	G $\frac{1}{2}$ "	Stainless steel 1.4435	D 12361.2
	200°C	103	27	G $\frac{1}{2}$ "		D 12361.3
	150°C	79	27	G $\frac{1}{2}$ "		D 12361.22
	300°C	125	40	$\frac{1}{2}$ "-14-NPT	Stainless steel 1.4435	D 12361.6
	200°C	97	27	$\frac{1}{2}$ "-14-NPT		D 12361.7
	150°C	70	27	$\frac{1}{2}$ "-14-NPT		D 12361.23

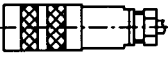
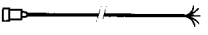
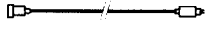
Accessories for Piezoresistive Pressure Transmitters

Electrical accessories

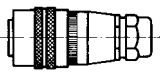
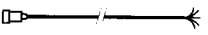

Pressure transmitters with DIN-plug

Dimensions	Designation	Ordering code
	Cable socket connector DIN 43 650	E 6844.0
	Extension cable with socket connector ¹⁾	E 6084.0xxx
	Extension cable with socket and plug connectors ¹⁾	E 6084.2xxx

Pressure transmitters with Binder-plug

Dimensions	Designation	Ordering code
	Cable socket connector	E 13265.0
	Extension cable with socket connector ¹⁾	E 6085.0xxx
	Extension cable with socket and plug connectors ¹⁾	E 6085.2xxx

Pressure transmitters with Bendix-plug

Dimensions	Designation	Ordering code
	Cable socket connector	E 6586.1
	Extension cable with socket connector ¹⁾	E 6737.0xxx
	Extension cable with socket and plug connectors ¹⁾	E 6738.3xxx

¹⁾Specify cable length in order.