

Precision Bourdon Tube Pressure Gauges cl. 0.6 with Bayonet lock NS 160 and Test Connection

Application	For gases and low-viscosity liquids, for technical monitoring of boilers, pressure containers, etc.; for checking of operational pressure gauges at the point of measurement
Pressure ranges	0,6 bar to 250 bar
Range of application	For static pressure 75% for dynamic pressure 66% of full scale
Accuracy	Cl. 0.6 according to DIN 16005
Execution	DIN 16070
Movement	Brass
Dial	White, scale in black DIN 16117, 16123. For sequence of graduation marking and lay-out see D0.305.1.
Pointer	Aluminium, black DIN 16102
Window	Normal glass
Protection	IP 54 (EN 60529 / IEC 529)
Certificate	Calibration certificate DIN 55350-18-4.2.2 (Works test report): ident.-No. 0991.5005 (included in the delivery)
Special design	1. Prepared for official calibration – ordering code 0090 2. Calibration certificate (official): Ident.-No. 0991.5006 (only in combination with BC 0090)



Selection chart

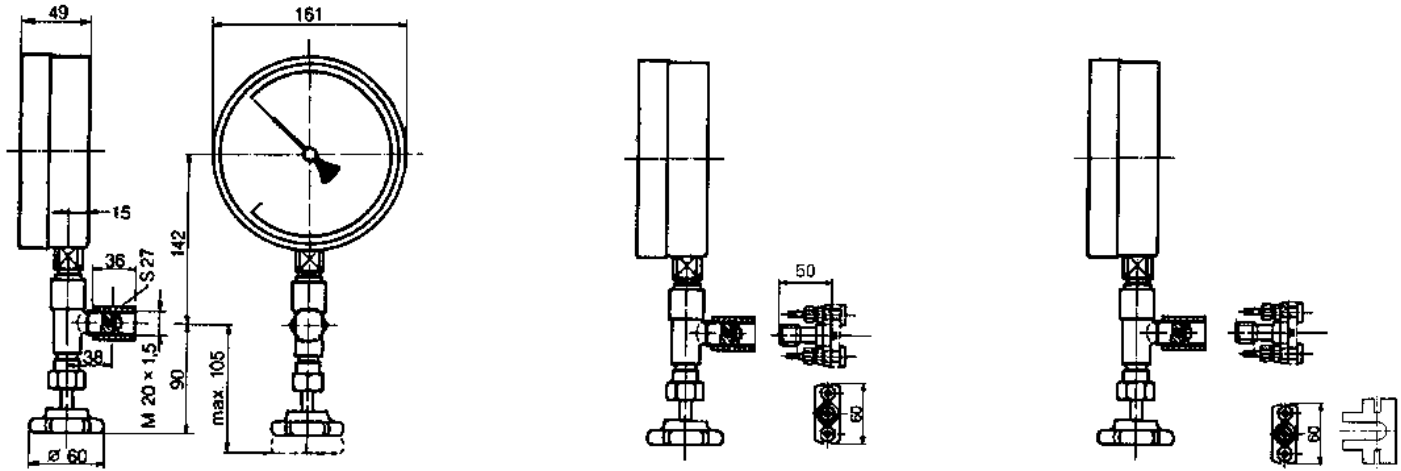
Ordering example: D R P 160 / 2 1 1 . 1 33 / 025 (see photo above) / ...																																																																																																	
System design Standard	DRP	<table border="1"> <thead> <tr> <th rowspan="2">Order no.</th> <th colspan="2">Range</th> <th rowspan="2">Order no.</th> <th colspan="2">Range</th> </tr> <tr> <th colspan="2">bar</th> <th colspan="2">bar</th> </tr> </thead> <tbody> <tr><td>015</td><td>0 ... 0.6</td><td></td><td>305</td><td>-0.6 ... 0</td><td></td></tr> <tr><td>025</td><td>0 ... 1.0</td><td></td><td>315</td><td>-1.0 ... 0</td><td></td></tr> <tr><td>035</td><td>0 ... 1.6</td><td></td><td>505</td><td>-1.0 ... 0.6</td><td></td></tr> <tr><td>045</td><td>0 ... 2.5</td><td></td><td>515</td><td>-1.0 ... 1.5</td><td></td></tr> <tr><td>055</td><td>0 ... 4</td><td></td><td>525</td><td>-1 ... 3</td><td></td></tr> <tr><td>065</td><td>0 ... 6</td><td></td><td>535</td><td>-1 ... 5</td><td></td></tr> <tr><td>075</td><td>0 ... 10</td><td></td><td>545</td><td>-1 ... 9</td><td></td></tr> <tr><td>085</td><td>0 ... 16</td><td></td><td>555</td><td>-1 ... 15</td><td></td></tr> <tr><td>095</td><td>0 ... 25</td><td></td><td></td><td></td><td></td></tr> <tr><td>105</td><td>0 ... 40</td><td></td><td></td><td></td><td></td></tr> <tr><td>115</td><td>0 ... 60</td><td></td><td></td><td></td><td></td></tr> <tr><td>125</td><td>0 ... 100</td><td></td><td></td><td></td><td></td></tr> <tr><td>135</td><td>0 ... 160</td><td></td><td></td><td></td><td></td></tr> <tr><td>145</td><td>0 ... 250</td><td></td><td></td><td></td><td></td></tr> </tbody> </table>	Order no.	Range		Order no.	Range		bar		bar		015	0 ... 0.6		305	-0.6 ... 0		025	0 ... 1.0		315	-1.0 ... 0		035	0 ... 1.6		505	-1.0 ... 0.6		045	0 ... 2.5		515	-1.0 ... 1.5		055	0 ... 4		525	-1 ... 3		065	0 ... 6		535	-1 ... 5		075	0 ... 10		545	-1 ... 9		085	0 ... 16		555	-1 ... 15		095	0 ... 25					105	0 ... 40					115	0 ... 60					125	0 ... 100					135	0 ... 160					145	0 ... 250					
Order no.	Range			Order no.	Range																																																																																												
	bar		bar																																																																																														
015	0 ... 0.6			305	-0.6 ... 0																																																																																												
025	0 ... 1.0			315	-1.0 ... 0																																																																																												
035	0 ... 1.6			505	-1.0 ... 0.6																																																																																												
045	0 ... 2.5			515	-1.0 ... 1.5																																																																																												
055	0 ... 4			525	-1 ... 3																																																																																												
065	0 ... 6			535	-1 ... 5																																																																																												
075	0 ... 10			545	-1 ... 9																																																																																												
085	0 ... 16		555	-1 ... 15																																																																																													
095	0 ... 25																																																																																																
105	0 ... 40																																																																																																
115	0 ... 60																																																																																																
125	0 ... 100																																																																																																
135	0 ... 160																																																																																																
145	0 ... 250																																																																																																
Nominal size NG 160	160																																																																																																
Case Stainless steel 1.4301, brush finished	2																																																																																																
Struct. shape Direct mounting without flange	1																																																																																																
Connection radial, right	1																																																																																																
Indicator Standard	1																																																																																																
Measuring element Stainless steel 1.4571 Connection mat blasted	33																																																																																																
Test connection Shut off valve with test connection and socket clamp M 20 x 1.5 in chrome-plated brass																																																																																																	
Accessories 1 carrying case 1 transition piece M 20 x 1.5–60 x 25 x 10 2 fixing screws M6 with nut 2 spacers																																																																																																	
Range																																																																																																	
Special designs and accessories																																																																																																	

Notes: Standard: PN 0.6 ... PN 25 calibrated with air (mark G on the dial ordering code 0241)
PN > 25 calibrated with liquid (without marking on the dial)
Special: PN 0.6 ... PN 25 calibrated with liquid (mark F on the dial ordering code 0240)

For special designs see D1.901

Precision Bourdon Tube Pressure Gauges cl 0.6 with Bayonet lock NS 160 and Test Connection

Dimensions



Illustrations of applications

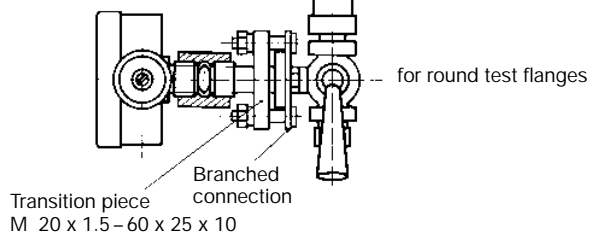
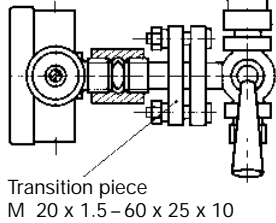
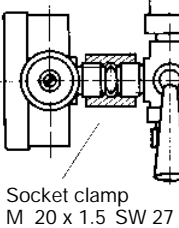
Test male connection M 20 x 1.5

Test flange 60 x 25 x 10

Test flange $\varnothing 40 \times 5$

Bourdon tube pressure gauge

Pressure element with test connection



for connection	for flanges					
	narrow 60 x 25 x 10	oval 60 x 90	$\varnothing 37 \times 5$	$\varnothing 38 \times 6$	$\varnothing 40 \times 5$	$\varnothing 30 \times 6$
Germany (Standard)	Germany (Non-standard) usual		CIS	Poland	Denmark France Holland Italy Norway Portugal Romania Sweden Switzerland Spain	Belgium
with standard accessories			with special accessories: branched connection J 60 800.0001			